



MF1005HP SERIES – Multilayer Ceramic Chip Inductors

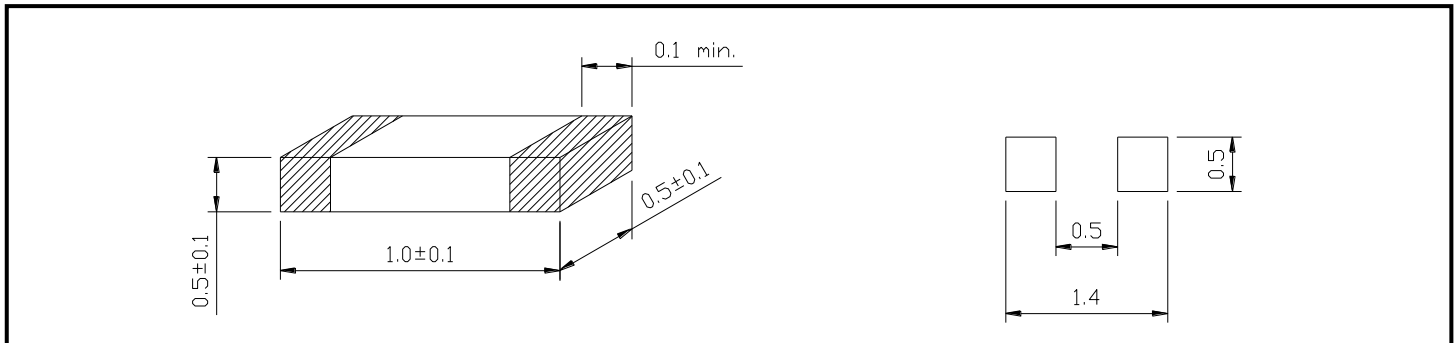


PART NUMBERING SYSTEM

MF	1005HP	—	2N2J	—	LF
TYPE	DIMENSIONS		INDUCTANCE		LEAD FREE

SHAPES AND DIMENSIONS

UNIT : mm



FEATURES

1. Excellent Q factor and SRF(self-resonant frequency) characteristics .
2. Supports operating frequency bands of up to 10GHZ .
3. Excellent solderability and high heat resistance for either flow or reflow soldering .
4. Small size of 1005 is suitable for small portable equipment.

APPLICATION

1. Mobile phones .
2. Portable phones .
3. Cordless phones .
4. Pagers and personal handy-phone systems (PHS) .



MF1005HP SERIES – Multilayer Ceramic Chip Inductors



SPECIFICATION TABLE

PART NUMBER	INDUCTANCE (nH) 100MHz	INDUCTANCE TOLERANCE	Q TYPICAL	SRF (MHz)	DCR (Ω)	IDC (mA)
			100 MHz	Typ.	(max)	(max)
MF1005HP-1N0S-LF	1.0	S	8	10000	0.07	400
MF1005HP-1N2S-LF	1.2	S	8	10000	0.09	400
MF1005HP-1N5S-LF	1.5	S	8	9000	0.10	400
MF1005HP-1N8S-LF	1.8	S	8	8700	0.10	400
MF1005HP-2N2S-LF	2.2	S	8	8100	0.12	400
MF1005HP-2N7S-LF	2.7	S	8	7700	0.15	400
MF1005HP-3N3□-LF	3.3	S, K	8	6300	0.15	400
MF1005HP-3N9□-LF	3.9	S, K	8	6100	0.18	400
MF1005HP-4N7□-LF	4.7	S, K	8	6000	0.18	400
MF1005HP-5N6□-LF	5.6	S, K	8	5100	0.20	400
MF1005HP-6N8□-LF	6.8	J, K	8	4550	0.24	400
MF1005HP-8N2□-LF	8.2	J, K	8	4100	0.24	300
MF1005HP-10N□-LF	10.0	J, K	8	3900	0.26	300
MF1005HP-12N□-LF	12.0	J, K	8	3000	0.28	300
MF1005HP-15N□-LF	15.0	J, K	8	2500	0.32	300
MF1005HP-18N□-LF	18.0	J, K	8	2200	0.36	300
MF1005HP-22N□-LF	22.0	J, K	8	1900	0.42	300
MF1005HP-27N□-LF	27.0	J, K	8	1700	0.46	300
MF1005HP-33N□-LF	33.0	J, K	8	1600	0.58	200
MF1005HP-39N□-LF	39.0	J, K	8	1200	0.65	200
MF1005HP-47N□-LF	47.0	J, K	8	1000	0.72	200
MF1005HP-56N□-LF	56.0	J, K	8	800	0.82	200
MF1005HP-68N□-LF	68.0	J, K	8	800	0.92	180
MF1005HP-82N□-LF	82.0	J, K	8	700	1.20	150
MF1005HP-R10□-LF	100.0	J, K	8	900	2.00	100
MF1005HP-R12□-LF	120.0	J, K	8	800	2.20	100

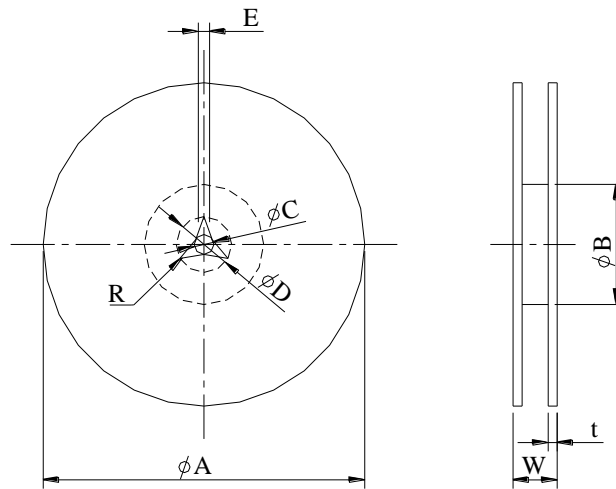
□ : INDUCTANCE TOLERANCE (J : $\pm 5\%$, K : $\pm 10\%$, S : $\pm 0.3\text{nH}$)



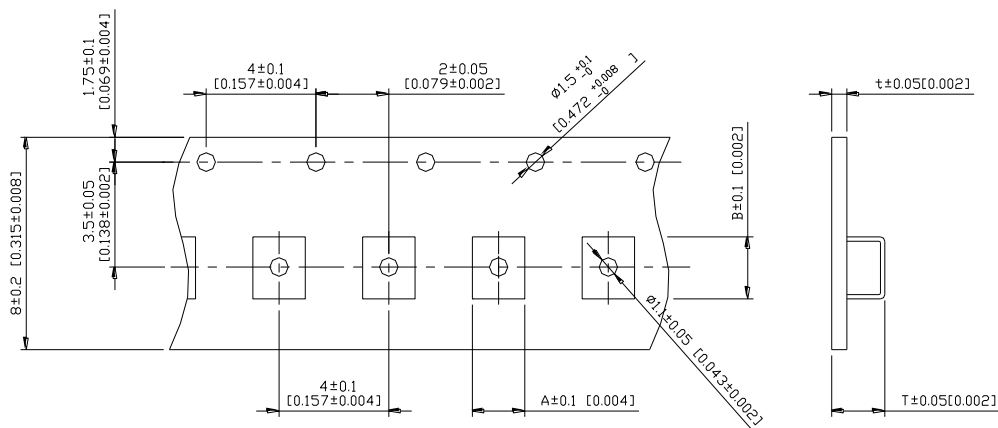
MF1005HP SERIES – Multilayer Ceramic Chip Inductors



PACKAGING SPECIFICATION



REEL	A	B	C	D	E	W8	W12	t	R
T(ψ178mm)	ψ178±2	ψ60±1	ψ13±0.8	ψ21±0.8	2	10±1.5	14.5±1.5	1.27±0.2	1



TYPE	A	B	T	t	T(ψ178mm)	T(ψ330mm)
MF1005HP	0.65	1.15	0.80	0.2	10000 pcs/reel	—